

AFTERCARE INSTRUCTIONS

Excessive exposure to water will deteriorate the furniture. Wipe away any water splashes or condensation after use. **Do not allow water to sit inside the drawers**

All bathrooms should be well ventilated. We recommend the installation of a suitable extractor fan.

Clean with a soft damp cloth only.

Use a wax free polish if one must be used.

CUSTOMER SERVICE

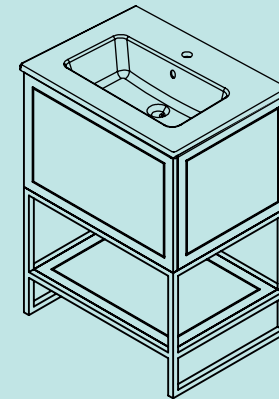
t: +44(0)208 686 5100
e: technical@saneux.com

Iain Stewart Centre, Beehive
Ring Road, Gatwick, RH6 0PB

www.saneux.com

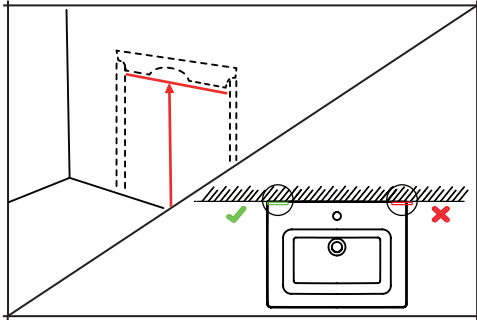
KINGSBURY

INSTALLATION INSTRUCTIONS

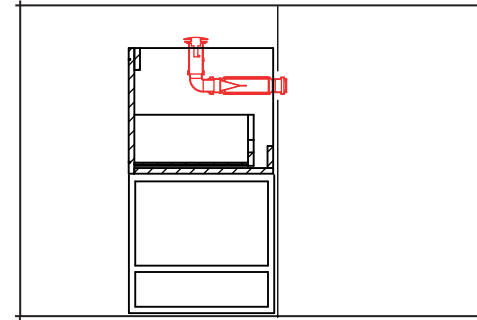


Floor Mounted Furniture
Matte Anthracite

saneux

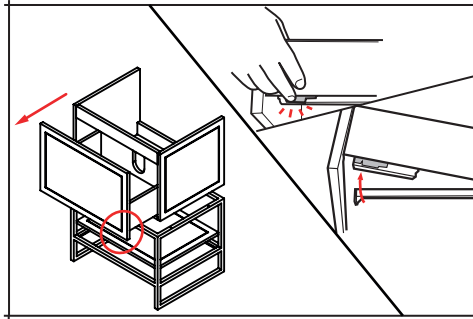


1. Mark the location of both mounting plates ensuring that they are positioned inside the side panels of the unit. The recommended height for the unit including basin is 850mm. **The fixings provided are for solid walls, for hollow or stud walls use specialist fixings.**

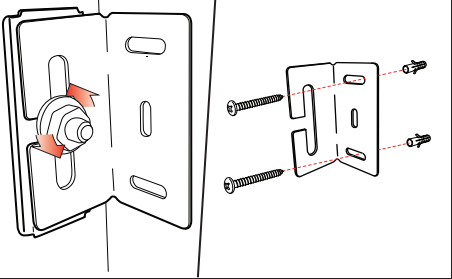
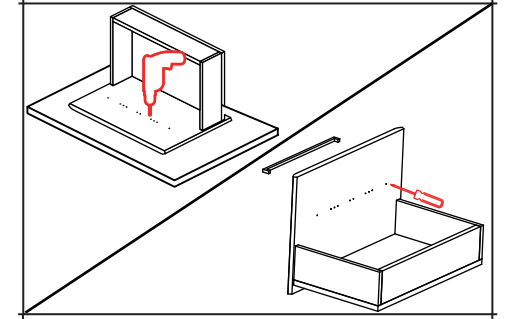


5. Make all plumbing connections and test for any leaks. We recommend the following saneux waste accessories:
WA005 - Low profile waste trap.
530S- Click waste.
WA006 - Super low profile waste trap & click waste.

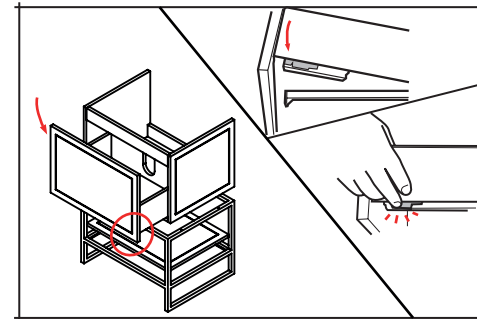
2. To remove the drawer from the unit, fully extend the drawer. Under either side of the drawer are two plastic clips that can be pulled to release the drawer from the runners.



6. To ensure the paint does not come off the front of any panels, place the door (front face down) on a wooden board. Drill the pilot holes for the handle width selected, using an **M3 drill bit**. **Make sure to measure the handle hole width before drilling.** Fit the handles to the unit using a screw driver

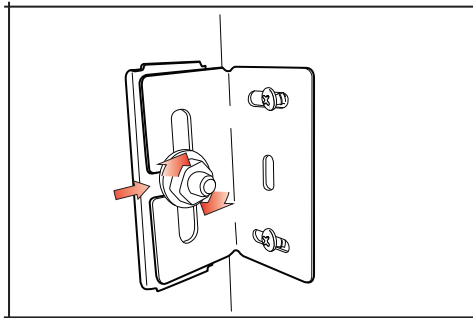


3. Make sure that there are no hidden pipes or cables in the wall. Drill 2 holes per mounting plate using an 8mm drill bit to a depth of 55mm. The fixings supplied are for solid walls. For hollow or stud walls use specialist fixings.



7. Return the drawer to the unit in the same way that it was removed. Ensure the runners clip back into place and that the soft close function is operating correctly.

4. Locate the plates on the inside walls of the unit onto the wall mounting plates. Secure the unit to the wall by tightening the screw. Use a spirit level to ensure the unit is balanced horizontally.



8. Having finished all plumbing connections, secure the basin to the unit **using a silicone sealant**. Make sure the basin is correctly aligned with the furniture and allow the sealant to dry. **The silicone sealant will help the basin sit level on the furniture and protect the unit from water damage.**

